

THIS DRAWING IS UNPUBLISHED.

RELEASED FOR PUBLICATION

20

© COPYRIGHT 20

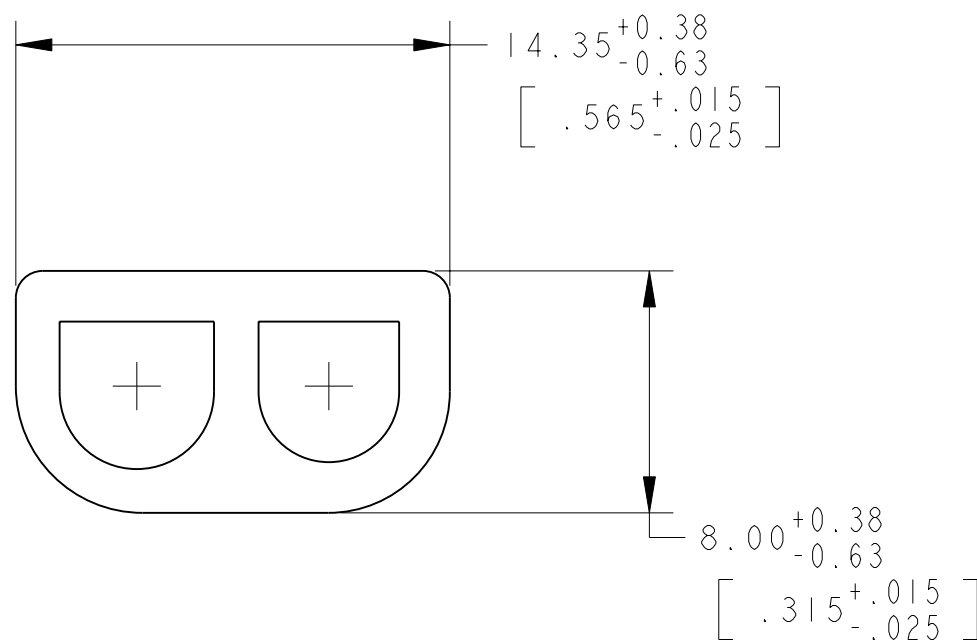
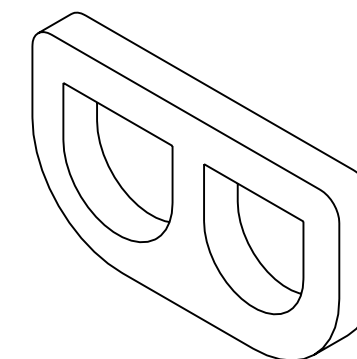
BY TYCO ELECTRONICS CORPORATION. ALL RIGHTS RESERVED.

LOC CM DIST 45

REVISIONS

P	LTR	DESCRIPTION	DATE	DWN	APVD
	E	REVISED PER ECO-05-001965	04MAY05	KW	SR

1 MATERIAL: CLOSED CELL SILICON FOAM, BLACK  
 2. SUPPLIED ON MYLAR FILM.



794991-1

PART NUMBER

METRIC

THIS DRAWING IS A CONTROLLED DOCUMENT FOR TYCO ELECTRONICS CORPORATION IT IS SUBJECT TO CHANGE AND THE CONTROLLING ENGINEERING ORGANIZATION SHOULD BE CONTACTED FOR THE LATEST REVISION.

DIMENSIONS: mm [ INCHES ]		TOLERANCES UNLESS OTHERWISE SPECIFIED:	
0 PLC	±-	1 PLC	±-
2 PLC	±0.51 [ .020 ]	3 PLC	±-
4 PLC	±-	ANGLES	±-
MATERIAL	-	FINISH	-

DWN	07-DEC-2001
CHK	07-DEC-2001
APVD	07-DEC-2001
PRODUCT SPEC	-
APPLICATION SPEC	-
WEIGHT	-
CUSTOMER DRAWING	

<b>tyco</b> Electronics		Tyco Electronics Harrisburg, PA 17105-3608	
NAME INTERFACE SEAL 2 CIRCUIT UNIVERSAL MATE-N-LOK™			
SIZE	CAGE CODE	DRAWING NO	RESTRICTED TO
A3	00779	794991	-
SCALE 4:1		SHEET 1 OF 1	REV E